

CUSTOMER TECHNICAL MEMO # 197

Subject: New Dies – Opal Plasterboard Partition

Date: 03-02-2014

Good Morning,

Please see below for new sections added to our Opal Plasterboard Partition range.

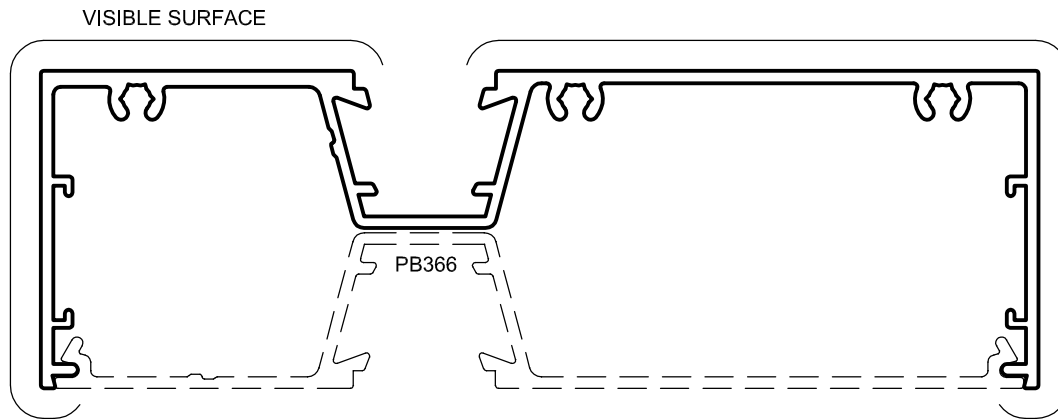
PB367 ALTERNATE 92mm SILL

PB368 92mm FRAME

If you have any questions please do not hesitate to contact your local ALSPEC Area Manager or Sales Office.

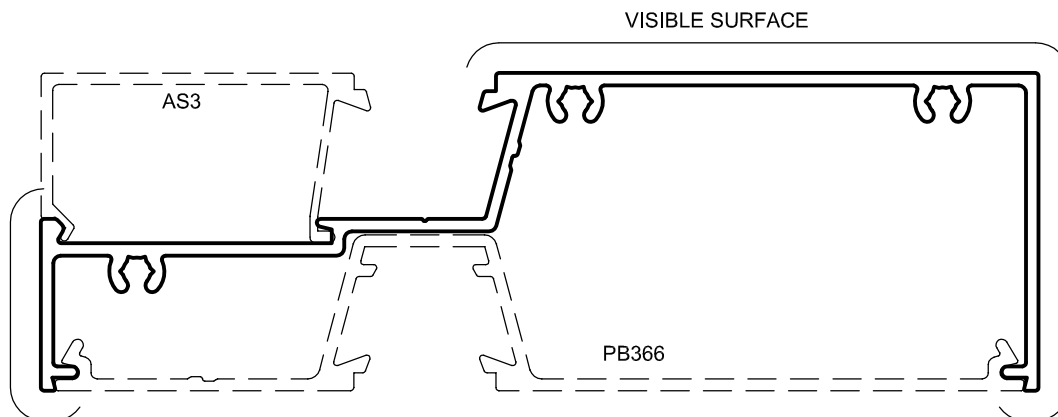
Regards,
Product Development

Extrusions



PB368
92mm FINLESS
FRAME

Mass 1.432
Anod. Per. 612
Paint Per. 201



PB367
ALTERNATE
92mm SILL

Mass 1.183
Anod. Per. 505
Paint Per. 141